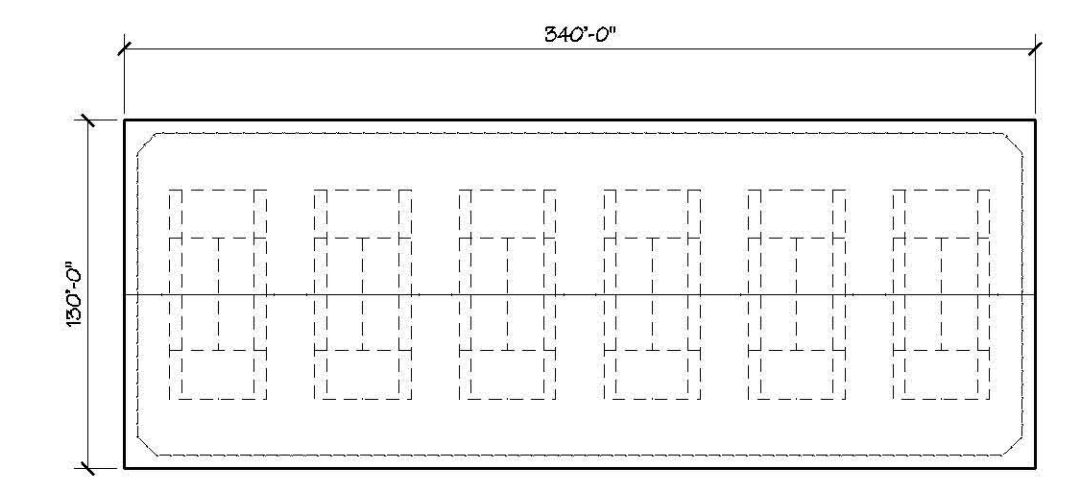


1 MASTER SITE PLAN  
 SK-1 SCALE: 1" = 100'

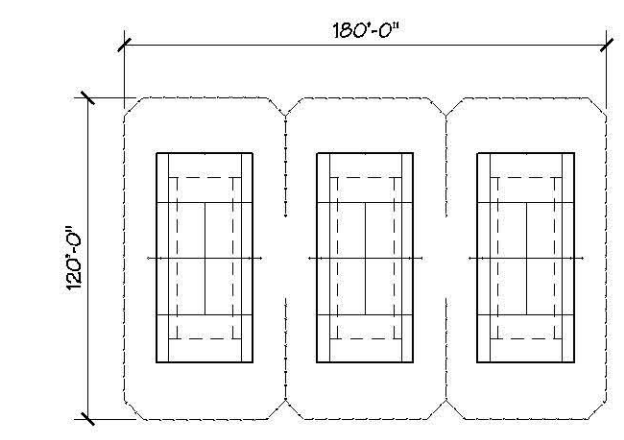
COURT LEGEND

	FULL SIZED COURTS
TRIPLE COURT BATTERIES	27
DOUBLE COURT BATTERIES	32
SINGLE COURT BATTERY	1
TOTAL DEDICATED FULL SIZED COURTS (78')	60*
FULL SIZED COVERED COURTS (78')	6
SMALL (36') QUICKSTART COURTS	16
TOTAL COURTS	82

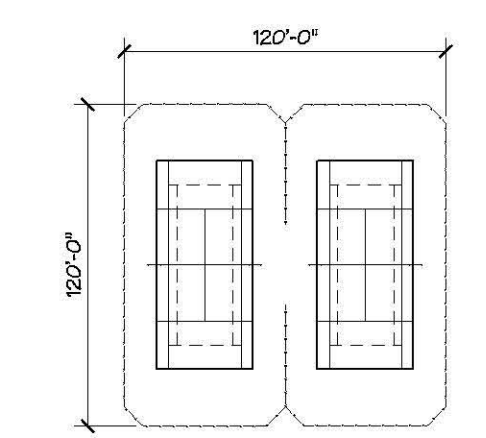
\* (9) OF THESE ARE ALSO USED AS MEDIUM (60') QUICKSTART COURTS



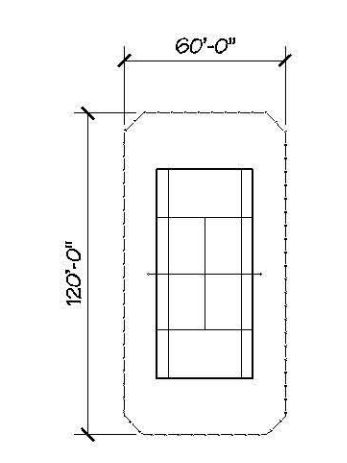
COVERED COURT BUILDING  
 (6) FULL SIZED COURTS



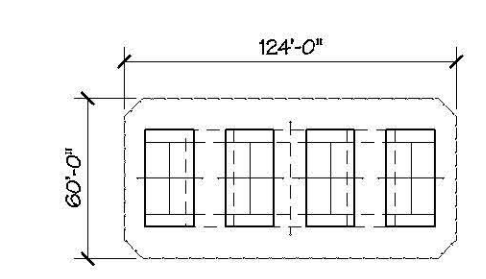
TRIPLE COURT BATTERY  
 (3) FULL SIZE COURTS x 9 BATTERIES = 27 FULL SIZED COURTS  
 ALSO  
 (3) 60' COURTS x 1 BATTERY = 3 MEDIUM QUICKSTART COURTS



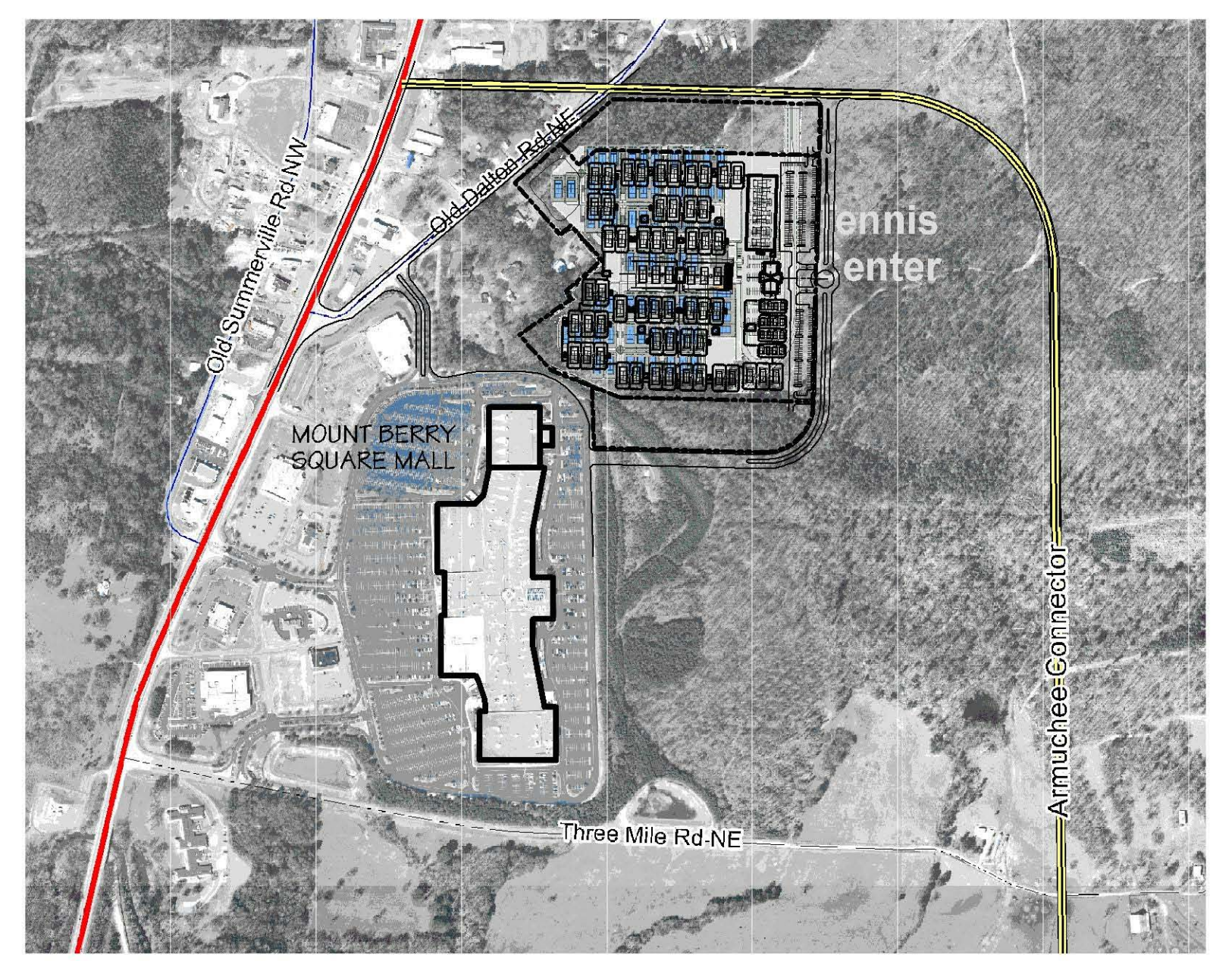
DOUBLE COURT BATTERY  
 (2) FULL SIZE COURTS x 16 BATTERIES = 32 COURTS  
 ALSO  
 (2) 60' COURTS x 3 BATTERIES = 6 MEDIUM QUICKSTART COURTS



SINGLE COURT  
 (1) FULL SIZE COURT = 1 COURT



SINGLE COURT  
 (16) - 36' QUICKSTART COURTS = 16 SMALL QUICK START COURTS



ISSUED:

DATE:	FOR:
9/9/10	OWNER REVIEW
9/14/10	OWNER REVIEW
9/16/10	PRESENTATION
11/8/10	OWNER REVIEW
11/17/10	OWNER REVIEW

REVISIONS:

NO:	DESCRIPTION:

MASTER PLAN  
**ROME TENNIS COMPLEX**  
 ARMUCHEE CONNECTOR  
 ROME, GEORGIA



**HUG & ASSOCIATES, LLC**  
 ARCHITECTS  
 810 Hwy 88, Suite 200, Atlanta, Georgia 30328  
 www.hugandassociates.com T 404.251.2501 F 404.251.2501

USE OF THIS DOCUMENT:  
 This drawing and associated documents are the exclusive property of the Architect, Hug & Associates, and are not to be reproduced or copied in whole or in part. They are only to be used for the project and site specifically identified herein and are not to be used on any other project without the written permission of the Architect.

SCALE OF THE DRAWING:  
 Scales as stated on this drawing are valid on the original drawing only, the dimension of which is 24 x 36 inches.

DRAWING TITLE:  
 MASTER SITE PLAN

DRAWN BY:  
 deh

PROJECT NO:  
 1018

DRAWING NO:  
 SK-1

NOT ISSUED FOR CONSTRUCTION

© 2010 HUG & ASSOCIATES - ALL RIGHTS RESERVED